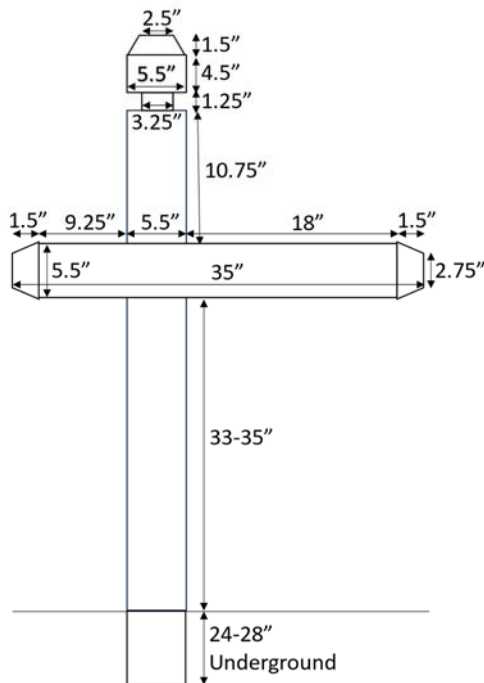


## Waters Edge Owners Association

Attachment to Building and Design Guidelines

**Mailboxes** – See Page 9 of the Guidelines. Additional Information included below:

**Posts** – Have a person building your mailbox post build the post using the same dimensions/design and wood as the existing posts in our subdivision. Pressure treated lumber is recommended. It needs to be installed the same distance from the street and the same height as others. A proposed schematic is as follows:



**Mailbox post paint** - can be picked up at the Property Chairperson's house (Dee Swymer), 706-473-1667

**Mailbox** - can be purchased from Ace Hardware or Home Depot. The mailbox is a Gibraltar Industries, Elite Model E1600B00, and should be around \$25

**Decals** - can be purchased from 44 Signs, 706-999-1515, located at 1210 Commerce Drive #104, Greensboro – Across from Bank South off Linger Longer Road) – they have the template for the decals. You will need 2 decals.

Area Handymen interested in building, installing, & repairing mailboxes/posts:

Steve Larson – 706-816-1036

Carter Massey – 229-326-6102

Tom Meyer – 706-347-6342

Ken Munger – 770-356-8024

Updated 1/24